

Multi model
application
Air Conditioning
Technical Data
3MXM-A9



3MXM40A2V1B9
3MXM52A2V1B9
3MXM68A2V1B9

TABLE OF CONTENTS

3MXM-A9

1	Features	4
	3MXM-A9	4
2	Specifications	5
3	Electrical data	7
4	Combination table	8
5	Capacity tables	13
	Capacity Table Legend	13
6	Dimensional drawings	14
7	Centre of gravity	15
8	Piping diagrams	16
9	Wiring diagrams	17
	Wiring Diagrams - Single Phase	17
10	Sound data	18
	Sound Pressure Spectrum	18
11	Operation range	19

1 Features

1 - 1 3MXM-A9

- › New design outlook for outdoor unit
- › Seasonal efficiency values up to A+++ in cooling and A++ in heating thanks to its up-to-date technology and built-in intelligence
- › Up to 3 indoor units can be connected to 1 multi outdoor unit; all indoor units are individually controllable and do not need to be installed in the same room or at the same time. They operate simultaneously within the same heating or cooling mode.
- › Choosing for an R-32 product, reduces the environmental impact with 68% compared to R-410A and leads directly to lower energy consumption thanks to its high energy efficiency
- › Different types of indoor units can be connected: e.g. wall mounted, ceiling mounted cassette corner, concealed ceiling unit
- › Outdoor units are fitted with a swing compressor, renowned for its low noise and high energy efficiency

1

Inverter

2 Specifications

2 - 1 Specifications

Technical specifications					3MXM40A9	3MXM52A9	3MXM68A9	
Casing	Colour				Ivory white			
Dimensions	Unit	Height	mm		734			
		Width	mm		974			
		Depth	mm		408			
	Packed unit	Height	mm		820			
		Width	mm		1,050			
		Depth	mm		480			
Weight	Unit	kg		57	62			
	Packed unit	kg		63	67			
Heat exchanger	Length	mm		920				
	Rows	Quantity		2				
	Fin pitch	mm		1.40				
	Stages	Quantity		32				
	Passes	Quantity		6.00				
	Tube type			Hi-XA				
	Tube diameter	mm		8.0				
	Fin	Type			WHS8 FIN-HYDROPHILIC			
		Treatment			Anti-corrosion treatment			
	Fan	Type			Propeller fan			
Discharge direction				Horizontal				
Quantity				1				
Air flow rate		Cooling	High	m ³ /min	42.0	46.5		
				cfm	1,483	1,642		
				Medium	m ³ /min	42.0	42.5	
			cfm	1,483	1,501			
			Low	m ³ /min	24.0	24.1		
				cfm	847	851		
		Heating	High	m ³ /min	41.0	43.8		
				cfm	1,447	1,547		
				Medium	m ³ /min	41.0	43.8	
			cfm	1,447	1,547			
			Low	m ³ /min	24.0	16.1		
	cfm			847	569			
Fan motor	Quantity			1				
	Model			D55F-31				
	Output	W		55				
Fan motor	Speed	Cooling	High	rpm	700	760		
			Medium	rpm	700			
			Low	rpm	420			
	Heating	High	rpm	680		720		
		Low	rpm	420		300		
		Medium	rpm	680		720		
Compressor	Quantity			1				
	Model			2YC40JXD#C	2YC71DXD#C			
	Oil Amount	cm ³		650	900			
	Type			Hermetically sealed swing compressor				
	Output	W		1,300	2,400			
	Oil Type			FW68DA				
Operation range	Cooling	Ambient	Min.	°CDB	-10			
			Max.	°CDB	46			
	Heating	Ambient	Min.	°CDB	-15			
			Max.	°CDB	24			
Sound power level	Cooling	Max	dBA		63			
		Night quiet mode	dBA		58	59		
		Tonal adjustment	dBA		0			
	Heating	Max	dBA		63			
		Nom.	dBA		59	61		
		Night quiet mode	dBA		58	59		
		Tonal adjustment	dBA		0			
		Sound power level - Low sound mode (Stb. 2020, 189)	Cooling	Max.	dBA		62	61
Night quiet mode	dBA			57	58			
Tonal adjustment	dBA			0				
Sound pressure level	Cooling	Nom.	dBA		46	48		
		Heating	Nom.	dBA		47	48	
			Type			R-32		
Refrigerant	Charge	kg		1.80	2.00			
	Control			Expansion valve				
	GWP			675				

2 Specifications

2 - 1 Specifications

2

Technical specifications				3MXM40A9	3MXM52A9	3MXM68A9
Piping connections	Liquid	Quantity			3	
		OD	mm		6.35	
Piping connections	Gas	Quantity			1	
		OD	mm		9.5	
Drain		Quantity			1	
		OD	mm		16 (inner diameter of connecting hose)	
Gas 2		Quantity			2	
		OD	mm		12.7	
Piping length	OU - IU	Min.	m		3 (1)	
		Max.	m		25 (1)	
		System Chargeless	m		30	
Additional refrigerant charge					0.02 (for piping length exceeding 30m)	
Level difference	IU - OU	Max.	m		15	
		IU - IU	m		7.5	
Heat insulation					Both liquid and gas pipes	
Total piping length	System	Actual	m	50 (2)		50
		Method			Variable (inverter)	

Standard accessories: Installation manual;Quantity: 1;

Standard accessories: Screw bag;Quantity: 1;

Standard accessories: Drain plug;Quantity: 1;

Standard accessories: Reducer assembly;Quantity: 1;

Standard accessories: Drain cap (1);Quantity: 6;

Standard accessories: Drain cap (2);Quantity: 3;

Electrical specifications				3MXM40A9	3MXM52A9	3MXM68A9
Power supply	Phase				1~	
	Frequency		Hz		50	
	Voltage		V		220-240	
Wiring connections	For power supply	Quantity			3	
		Remark			Earth wire included	
	For connection with indoor	Quantity			4	
		Remark			Earth wire included	
Current - 50Hz	Maximum fuse amps (MFA)		A	16	20	

(1)For one room |

(2)For combination with CVXM-A, FVXM-A - maximum piping length is 30m. |

See separate drawing for operation range |

See separate drawing for electrical data |

Contains fluorinated greenhouse gases

3 Electrical data

3 - 1 Electrical Data

2MXM68A9
3MXM-A9
4MXM-A9
5MXM-A9

3

Outdoor unit	Power supply			·RA· indoor units (-10% safety factor)		Other indoor units (-10% safety factor)		Compressor		Outdoor fan motor	
	Hz	Voltage	Voltage range	MCA	MFA	MCA	MFA	RHz	RLA	kW	FLA
2MXM68N2V1B 2MXM68A2V1B 2MXM68A2V1B9	50	220	Maximum ·50-Hz ·264-V	16,94	20	19,80	20	-	7,8	0,056	0,37
	50	230							7,5		
	50	240	Minimum ·50-Hz ·198-V						8,7		
3MXM40N2V1B9	50	220	Maximum ·50-Hz ·264-V	14,31	16	15,97	16	-	2,9	0,056	0,37
	50	230							3,0		
	50	240	Minimum ·50-Hz ·198-V						3,1		
3MXM52N2V1B9	50	220	Maximum ·50-Hz ·264-V	14,59	20	16,27	20	-	4,5	0,056	0,37
	50	230							4,7		
	50	240	Minimum ·50-Hz ·198-V						4,9		
3MXM68N2V1B9 3MXM68A2V1B 3MXM68A2V1B9	50	220	Maximum ·50-Hz ·264-V	17,19	20	19,81	20	-	8,0	0,056	0,37
	50	230							8,4		
	50	240	Minimum ·50-Hz ·198-V						8,7		
4MXM68N2V1B9 4MXM68A2V1B 4MXM68A2V1B9	50	220	Maximum ·50-Hz ·264-V	17,36	20	19,81	20	-	7,0	0,056	0,37
	50	230							7,3		
	50	240	Minimum ·50-Hz ·198-V						7,6		
4MXM80N2V1B9 4MXM80A2V1B 4MXM80A2V1B9	50	220	Maximum ·50-Hz ·264-V	17,04	25	20,36	25	-	8,5	0,075	0,50
	50	230							8,9		
	50	240	Minimum ·50-Hz ·198-V						9,3		
5MXM90N2V1B9 5MXM90A2V1B 5MXM90A2V1B9	50	220	Maximum ·50-Hz ·264-V	21,70	32	25,88	32	-	9,2	0,075	0,50
	50	230							9,6		
	50	240	Minimum ·50-Hz ·198-V						10,0		
3AMXM52N2V1B9	50	220	Maximum ·50-Hz ·264-V	18,19	20	16,27	20	-	4,5	0,056	0,37
	50	230							4,7		
	50	240	Minimum ·50-Hz ·198-V						4,9		
3MXF52A2V1B9	50	220	Maximum ·50-Hz ·264-V	14,59	20	16,27	20	-	4,5	0,056	0,37
	50	230							4,7		
	50	240	Minimum ·50-Hz ·198-V						4,9		
3AMXF52A2V1B9	50	220	Maximum ·50-Hz ·264-V	14,59	20	16,27	20	-	4,5	0,056	0,37
	50	230							4,7		
	50	240	Minimum ·50-Hz ·198-V						4,9		
3MXF68A2V1B9	50	220	Maximum ·50-Hz ·264-V	17,19	20	19,81	20	-	8,0	0,056	0,37
	50	230							8,4		
	50	240	Minimum ·50-Hz ·198-V						8,7		
3MXM40N2V1B8 3MXM40A2V1B 3MXM40A2V1B9	50	220	Maximum ·50-Hz ·264-V	14,31	16	15,97	16	-	2,9	0,056	0,37
	50	230							3,0		
	50	240	Minimum ·50-Hz ·198-V						3,1		
3MXM52N2V1B8 3MXM52A2V1B 3MXM52A2V1B9	50	220	Maximum ·50-Hz ·264-V	14,59	20	16,27	20	-	4,5	0,056	0,37
	50	230							4,7		
	50	240	Minimum ·50-Hz ·198-V						4,9		

Notes

- 1) The ·RLA· is based on the following conditions.
 Outdoor temperature :35°C DB
 Indoor temperature :27°C DB / :19°C WB
- 2) Select the wire size according to the MCA.
- 3) The maximum allowable voltage that is unbalanced between phases is :2%.
- 4) Use a circuit breaker instead of a fuse.
- 5) Only for wall-mounted ·FVXM· units

Symbols

- MCA: Minimum Circuit Ampere [A]
 MFA: Maximum Fuse Ampere [A]
 RLA: Rated load amps [A]
 OFM: Outdoor fan motor
 MSC: Maximum starting current
 FLA: Full Load Ampere [A]
 kW: Fan motor rated output [kW]

3D129421D

4 Combination table

4 - 1 Combination Table

4

3MXM40A9

Cooling ·230V 50Hz·

Outdoor unit	Indoor unit	Cooling capacity [kW]			Total capacity [kW]			Power input [kW]			Total current [A]			Power factor [%]
		Room -A-	Room -B-	Room -C-	Minimum	Nominal	Maximum	Minimum	Nominal	Maximum	Minimum	Nominal	Maximum	
3MXM40M2V1B 3MXM40M3V1B 3MXM40N2V1B 3MXM40N2V1B9 3MXM40N2V1B8 3MXM40N2V1B7 3MXM40A2V1B 3MXM40A2V1B9	1.5	1,50	-	-	1,40	1,50	2,20	0,32	0,35	0,46	1,52	1,63	2,20	91
	2.0	2,00	-	-	1,40	2,00	2,90	0,32	0,48	0,71	1,52	2,28	3,40	91
	2.5	2,50	-	-	1,40	2,50	3,10	0,32	0,64	0,82	1,52	3,05	3,90	91
	3.5	3,50	-	-	1,40	3,50	4,10	0,32	0,98	1,19	1,52	4,68	5,70	91
	1.5+1.5	1,50	1,50	-	1,60	3,00	4,20	0,34	0,59	1,14	1,63	2,82	5,44	91
	1.5+2.0	1,50	2,00	-	1,60	3,50	4,20	0,34	0,71	1,12	1,63	3,40	5,33	91
	1.5+2.5	1,50	2,50	-	1,60	4,00	4,20	0,34	0,86	1,10	1,63	4,11	5,33	91
	1.5+3.5	1,20	2,80	-	1,60	4,00	4,40	0,34	0,85	1,13	1,63	4,07	5,41	91
	2.0+2.0	2,00	2,00	-	1,60	4,00	4,50	0,34	0,84	1,09	1,63	4,02	5,22	91
	2.0+2.5	1,78	2,22	-	1,60	4,00	4,50	0,34	0,83	1,07	1,63	3,97	5,22	91
	2.0+3.5	1,45	2,55	-	1,60	4,00	4,50	0,34	0,83	1,03	1,63	3,97	5,22	91
	2.5+2.5	2,00	2,00	-	1,60	4,00	4,50	0,34	0,83	1,05	1,63	3,97	5,22	91
	2.5+3.5	1,67	2,33	-	1,60	4,00	4,60	0,34	0,82	1,03	1,63	3,92	4,93	91
	3.5+3.5	2,00	2,00	-	1,60	4,00	4,60	0,34	0,82	1,01	1,63	3,92	4,84	91
	1.5+1.5+1.5	1,33	1,33	1,33	1,70	4,00	4,60	0,36	0,78	0,98	1,74	3,73	4,68	91
	1.5+1.5+2.0	1,20	1,20	1,60	1,70	4,00	4,60	0,36	0,77	0,96	1,74	3,68	4,68	91
	1.5+1.5+2.5	1,09	1,09	1,82	1,70	4,00	4,60	0,36	0,77	0,94	1,74	3,68	4,68	91
	1.5+1.5+3.5	0,92	0,92	2,15	1,70	4,00	4,60	0,36	0,76	0,90	1,74	3,64	4,68	91
	1.5+2.0+2.0	1,09	1,45	1,45	1,70	4,00	4,60	0,36	0,77	0,92	1,74	3,68	4,68	91
	1.5+2.0+2.5	1,00	1,33	1,67	1,70	4,00	4,60	0,36	0,76	0,91	1,74	3,64	4,68	91
	1.5+2.0+3.5	0,86	1,14	2,00	1,70	4,00	4,60	0,36	0,76	0,89	1,74	3,64	4,68	91
	1.5+2.5+2.5	0,92	1,54	1,54	1,70	4,00	4,60	0,36	0,76	0,87	1,74	3,64	4,68	91
	2.0+2.0+2.0	1,33	1,33	1,33	1,70	4,00	4,60	0,36	0,76	0,85	1,74	3,64	4,68	91
	2.0+2.0+2.5	1,23	1,23	1,54	1,70	4,00	4,60	0,36	0,76	0,83	1,74	3,64	4,68	91
	2.0+2.5+2.5	1,14	1,43	1,43	1,70	4,00	4,60	0,36	0,75	0,81	1,74	3,59	4,68	91

Notes

- The total capacity of each connected indoor unit is up to ·7.0-kW.
- The values mentioned in this document are for connecting with the following indoor unit types:
·1.5, 2.0, 2.5, 3.5· kW class
Wall-mounted ·CTXA-AS, CXTA-AT, CXTA-AW, CXTA-BB, CXTA-BS, CXTA-BT, CXTM-M, CXTM-N, CXTM-R, FTXA-AS, FTXA-AT, FTXA-AW, FTXA-BB, FTXA-BS, FTXA-BT, FTXM-M, FTXM-N, FTXM-R, FTXJ-AB, FTXJ-AS, FTXJ-AW· series
- Cooling capacity conditions
Indoor temperature ·27·°C DB / ·19·°C WB
Outdoor temperature ·35·°C DB
- For additional information on the connection of the DHW generator for Multi and the Hybrid for Multi, see ·3D106169·.

4D139801B

3MXM40A9

Heating ·230V 50Hz·

Outdoor unit	Indoor unit	Heating capacity [kW]			Total capacity [kW]			Power input [kW]			Total current [A]			Power factor [%]
		Room -A-	Room -B-	Room -C-	Minimum	Nominal	Maximum	Minimum	Nominal	Maximum	Minimum	Nominal	Maximum	
3MXM40M2V1B 3MXM40M3V1B 3MXM40N2V1B 3MXM40N2V1B9 3MXM40N2V1B8 3MXM40N2V1B7 3MXM40A2V1B 3MXM40A2V1B9	1.5	2,30	-	-	1,10	2,30	3,30	0,30	0,60	0,82	1,38	2,77	3,83	93
	2.0	2,70	-	-	1,10	2,70	3,70	0,30	0,76	1,23	1,38	3,51	5,75	93
	2.5	3,40	-	-	1,10	3,40	4,10	0,30	1,01	1,28	1,38	4,68	5,96	93
	3.5	4,20	-	-	1,10	4,20	4,80	0,30	1,42	1,71	1,38	6,60	7,98	93
	1.5+1.5	1,80	1,80	-	1,20	3,60	5,00	0,32	0,69	1,30	1,49	3,23	6,07	93
	1.5+2.0	1,63	2,17	-	1,20	3,80	5,00	0,32	0,73	1,28	1,49	3,41	5,96	93
	1.5+2.5	1,61	2,69	-	1,20	4,30	5,00	0,32	0,92	1,26	1,49	4,32	5,96	93
	1.5+3.5	1,38	3,22	-	1,20	4,60	5,00	0,32	0,98	1,22	1,49	4,59	5,96	93
	2.0+2.0	2,30	2,30	-	1,20	4,60	5,00	0,32	0,97	1,25	1,49	4,54	5,85	93
	2.0+2.5	2,04	2,56	-	1,20	4,60	5,00	0,32	0,98	1,23	1,49	4,59	5,85	93
	2.0+3.5	1,67	2,93	-	1,20	4,60	5,00	0,32	0,97	1,19	1,49	4,54	5,85	93
	2.5+2.5	2,30	2,30	-	1,20	4,60	5,00	0,32	0,96	1,21	1,49	4,49	5,85	93
	2.5+3.5	1,92	2,68	-	1,20	4,60	5,00	0,32	0,95	1,17	1,49	4,45	5,85	93
	3.5+3.5	2,30	2,30	-	1,20	4,60	5,00	0,32	0,94	1,15	1,49	4,40	5,75	93
	1.5+1.5+1.5	1,53	1,53	1,53	1,30	4,60	5,10	0,32	0,89	1,02	1,49	4,17	4,79	93
	1.5+1.5+2.0	1,38	1,38	1,84	1,30	4,60	5,10	0,32	0,89	1,01	1,49	4,17	4,72	93
	1.5+1.5+2.5	1,25	1,25	2,09	1,30	4,60	5,10	0,32	0,89	0,99	1,49	4,17	4,63	93
	1.5+1.5+3.5	1,06	1,06	2,48	1,30	4,60	5,10	0,32	0,88	0,97	1,49	4,12	4,53	93
	1.5+2.0+2.0	1,25	1,67	1,67	1,30	4,60	5,10	0,32	0,88	0,95	1,49	4,12	4,44	93
	1.5+2.0+2.5	1,15	1,53	1,92	1,30	4,60	5,10	0,32	0,87	0,93	1,49	4,07	4,35	93
	1.5+2.0+3.5	0,99	1,31	2,30	1,30	4,60	5,10	0,32	0,87	0,91	1,49	4,07	4,25	93
	1.5+2.5+2.5	1,06	1,77	1,77	1,30	4,60	5,10	0,32	0,88	0,87	1,49	4,12	4,07	93
	2.0+2.0+2.0	1,53	1,53	1,53	1,30	4,60	5,10	0,32	0,87	0,89	1,49	4,07	4,16	93
	2.0+2.0+2.5	1,42	1,42	1,77	1,30	4,60	5,10	0,32	0,87	0,86	1,49	4,07	4,02	93
	2.0+2.5+2.5	1,31	1,64	1,64	1,30	4,60	5,10	0,32	0,86	0,84	1,49	4,03	3,93	93

Notes

- The total capacity of each connected indoor unit is up to ·7.0-kW.
- The values mentioned in this document are for connecting with the following indoor unit types:
·1.5, 2.0, 2.5, 3.5· kW class
Wall-mounted ·CTXA-AS, CXTA-AT, CXTA-AW, CXTA-BB, CXTA-BS, CXTA-BT, CXTM-M, CXTM-N, CXTM-R, FTXA-AS, FTXA-AT, FTXA-AW, FTXA-BB, FTXA-BS, FTXA-BT, FTXM-M, FTXM-N, FTXM-R, FTXJ-AB, FTXJ-AS, FTXJ-AW· series
- Heating capacity conditions
Indoor temperature ·20·°C DB
Outdoor temperature ·7·°C DB / ·6·°C WB
- For additional information on the connection of the DHW generator for Multi and the Hybrid for Multi, see ·3D106169·.

4D139802B

8

4 Combination table

4 - 1 Combination Table

3MXM52A9

Cooling - 230V 50Hz

Outdoor unit	Indoor unit	Cooling capacity [kW]			Total capacity [kW]			Power input [kW]			Total current [A]			Power factor [%]	
		Room -A-	Room -B-	Room -C-	Minimum	Nominal	Maximum	Minimum	Nominal	Maximum	Minimum	Nominal	Maximum		
3MXM52N2V18	1.5	1.50	-	-	1.40	1.50	2.40	0.34	0.36	0.63	1.50	1.62	2.86	96	
	2.0	2.00	-	-	1.60	2.00	3.00	0.36	0.48	0.78	1.60	2.17	3.51	96	
	2.5	2.50	-	-	1.60	2.50	3.30	0.36	0.64	0.87	1.62	2.89	3.92	96	
	3.5	3.50	-	-	1.60	3.50	4.20	0.37	0.98	1.30	1.63	4.43	5.88	96	
	4.2	4.20	-	-	1.60	4.20	4.80	0.37	1.21	1.55	1.63	5.47	7.04	96	
	5.0	5.00	-	-	1.60	5.00	5.40	0.35	1.76	2.03	1.55	7.94	9.18	96	
	1.5+1.5	1.50	1.50	-	1.70	3.00	4.70	0.35	0.55	1.32	1.55	2.50	5.98	96	
	1.5+2.0	1.50	2.00	-	1.70	3.50	4.70	0.35	0.66	1.30	1.55	2.99	5.88	96	
	1.5+2.5	1.50	2.50	-	1.70	4.00	5.00	0.35	0.78	1.92	1.55	3.54	8.66	96	
	1.5+3.5	1.50	3.50	-	1.70	5.00	6.00	0.35	1.06	2.17	1.55	4.81	9.80	96	
	1.5+4.2	1.37	3.83	-	1.70	5.20	6.10	0.35	1.10	2.26	1.55	4.99	10.21	96	
	1.5+5.0	1.20	4.00	-	1.80	5.20	6.30	0.37	1.10	2.28	1.68	4.99	10.31	96	
	2.0+2.0	2.00	2.00	-	1.80	4.00	5.10	0.37	0.85	1.91	1.68	3.85	8.66	96	
	2.0+2.5	2.00	2.50	-	1.80	4.50	5.30	0.37	0.95	1.89	1.68	4.31	8.56	96	
	2.0+3.5	1.89	3.21	-	1.80	5.20	6.30	0.37	1.10	2.30	1.68	4.99	10.38	96	
	2.0+4.2	1.68	3.52	-	1.80	5.20	6.30	0.37	1.09	2.25	1.68	4.94	10.18	96	
	2.0+5.0	1.49	3.71	-	1.80	5.20	6.50	0.37	1.09	2.19	1.68	4.94	9.89	96	
	2.5+2.5	2.50	2.50	-	1.80	5.00	6.00	0.37	1.04	2.23	1.68	4.72	10.09	96	
	2.5+3.5	2.17	3.03	-	1.80	5.20	6.10	0.37	1.09	2.21	1.68	4.94	10.00	96	
	2.5+4.2	1.94	3.26	-	1.80	5.20	6.40	0.37	1.09	2.30	1.68	4.94	10.41	96	
	2.5+5.0	1.73	3.47	-	1.80	5.20	6.50	0.37	1.06	2.14	1.68	4.81	9.68	96	
	3.5+3.5	2.60	2.60	-	1.80	5.20	6.40	0.37	1.08	2.28	1.68	4.90	10.31	96	
	3.5+4.2	2.26	2.84	-	1.80	5.20	6.40	0.37	1.08	2.26	1.68	4.90	10.21	96	
	3.5+5.0	2.14	3.06	-	1.80	5.20	6.60	0.37	1.06	2.19	1.68	4.81	9.89	96	
	4.2+4.2	2.60	2.60	-	1.80	5.20	6.50	0.37	1.07	2.24	1.68	4.85	10.11	96	
	3MXM52N2V18B	1.5+1.5+1.5	1.50	1.50	1.50	1.80	4.50	6.40	0.37	0.90	2.18	1.65	4.08	9.86	96
	3MXM52N2V18B	1.5+1.5+2.0	1.44	1.44	1.92	1.80	4.80	6.40	0.37	1.02	2.16	1.65	4.61	9.78	96
	3MXM52N2V18B	1.5+1.5+2.5	1.42	1.42	2.36	1.80	5.20	6.70	0.37	1.09	2.23	1.65	4.94	10.10	96
	3MXM52A2V18	1.5+1.5+3.5	1.20	1.20	2.80	1.90	5.20	6.80	0.37	1.09	2.28	1.65	4.94	10.30	96
	3MXM52A2V18B	1.5+1.5+4.2	1.08	1.08	3.03	1.90	5.20	6.80	0.37	1.08	2.26	1.65	4.90	10.20	96
	3MXM52A2V18B	1.5+1.5+5.0	0.98	0.98	3.25	1.90	5.20	7.10	0.33	1.05	2.17	1.51	4.76	9.80	96
	3MXM52A2V18B	1.5+2.0+2.0	1.42	1.89	1.89	1.80	5.20	6.45	0.37	1.10	2.13	1.65	4.99	9.64	96
	3MXM52A2V18B	1.5+2.0+2.5	1.30	1.73	2.17	1.80	5.20	6.70	0.37	1.09	2.19	1.65	4.94	9.90	96
	3MXM52A2V18B	1.5+2.0+3.5	1.11	1.49	2.60	1.90	5.20	6.80	0.37	1.08	2.23	1.65	4.90	10.10	96
	3MXM52A2V18B	1.5+2.0+4.2	1.01	1.35	2.84	1.90	5.20	6.80	0.37	1.08	2.19	1.65	4.90	9.90	96
	3MXM52A2V18B	1.5+2.0+5.0	0.92	1.22	3.06	1.90	5.20	7.20	0.33	1.04	2.15	1.51	4.72	9.70	96
	3MXM52A2V18B	1.5+2.5+2.5	1.20	2.00	2.00	1.80	5.20	6.70	0.37	1.09	2.17	1.65	4.94	9.80	96
	3MXM52A2V18B	1.5+2.5+3.5	1.04	1.73	2.43	1.90	5.20	6.80	0.37	1.08	2.21	1.65	4.90	10.00	96
	3MXM52A2V18B	1.5+2.5+4.2	0.95	1.59	2.66	1.90	5.20	6.80	0.37	1.07	2.19	1.65	4.85	9.90	96
	3MXM52A2V18B	1.5+2.5+5.0	0.87	1.44	2.89	1.90	5.20	7.30	0.33	1.04	2.17	1.51	4.72	9.80	96
	3MXM52A2V18B	1.5+3.5+3.5	0.92	2.14	2.14	1.80	5.20	7.30	0.37	1.07	2.15	1.65	4.85	9.70	96
	3MXM52A2V18B	2.0+2.0+2.0	1.73	1.73	1.73	1.80	5.20	6.50	0.37	1.07	2.06	1.65	4.85	9.84	96
	3MXM52A2V18B	2.0+2.0+2.5	1.60	1.60	2.00	1.80	5.20	7.00	0.37	1.06	2.21	1.65	4.81	10.00	96
	3MXM52A2V18B	2.0+2.0+3.5	1.39	1.39	2.43	1.90	5.20	7.20	0.39	1.05	2.17	1.75	4.76	9.80	96
	3MXM52A2V18B	2.0+2.0+4.2	1.27	1.27	2.66	1.90	5.20	7.20	0.39	1.04	2.15	1.75	4.72	9.70	96
3MXM52A2V18B	2.0+2.0+5.0	1.16	1.16	2.89	1.90	5.20	7.40	0.35	1.03	2.19	1.59	4.67	9.91	96	
3MXM52A2V18B	2.0+2.5+2.5	1.49	1.86	1.86	1.80	5.20	7.10	0.39	1.05	2.12	1.75	4.76	9.60	96	
3MXM52A2V18B	2.0+2.5+3.5	1.30	1.63	2.28	1.90	5.20	7.20	0.39	1.04	2.15	1.75	4.72	9.70	96	
3MXM52A2V18B	2.0+2.5+4.2	1.20	1.49	2.51	1.90	5.20	7.20	0.39	1.04	2.14	1.75	4.72	9.65	96	
3MXM52A2V18B	2.0+3.5+3.5	1.16	2.02	2.02	1.90	5.20	7.30	0.39	1.04	2.15	1.75	4.72	9.70	96	
3MXM52A2V18B	2.5+2.5+2.5	1.73	1.73	1.73	1.90	5.20	7.10	0.39	1.04	2.19	1.75	4.72	9.90	96	
3MXM52A2V18B	2.5+2.5+3.5	1.53	1.53	2.14	1.90	5.20	7.20	0.39	1.04	2.16	1.75	4.72	9.75	96	

Notes

- The total capacity of each connected indoor unit is up to 9.0 kW.
- The values mentioned in this document are for connecting with the following indoor unit types:
 -1.5, 2.0, 2.5, 3.5, 4.2, 5.0 kW class
 Wall-mounted CTXA-AS, CTXA-AT, CTXA-AW, CTXA-BB, CTXA-BB, CTXA-BT, CTXA-M, CTXA-N, CTXA-R, FTXA-AS, FTXA-AT, FTXA-AW, FTXA-BB, FTXA-BB, FTXA-BT, FTXA-M, FTXA-N, FTXA-R, FTXA-AB, FTXA-AB, FTXA-AW series
- Cooling capacity conditions
 Indoor temperature: 27°C DB / 19°C WB
 Outdoor temperature: 35°C DB
- For additional information on the connection of the DHW generator for Multi and the Hybrid for Multi, see: 3D106169.

4D139804B

4 Combination table

4 - 1 Combination Table

3MXM52A9

Heating · 230V 50Hz·

Outdoor unit	Indoor unit	Heating capacity [kW]			Total capacity [kW]			Power input [kW]			Total current [A]			Power factor [%]
		Room -A-	Room -B-	Room -C-	Minimum	Nominal	Maximum	Minimum	Nominal	Maximum	Minimum	Nominal	Maximum	
3MXM52N2V1B 3MXM52N2V1B9 3MXM52N2V1B8 3MXM52N2V1B7 3MXM52A2V1B 3MXM52A2V1B9	1.5	2,30	-	-	1,10	2,30	3,40	0,30	0,57	1,09	1,34	2,55	4,94	96
	2.0	3,00	-	-	1,10	3,00	3,80	0,30	0,84	1,27	1,34	3,82	5,75	96
	2.5	3,40	-	-	1,10	3,40	4,20	0,30	1,01	1,36	1,34	4,54	6,16	96
	3.5	4,20	-	-	1,10	4,20	4,80	0,30	1,42	1,74	1,34	6,39	7,88	96
	4.2	4,80	-	-	1,10	4,80	5,60	0,30	1,62	2,03	1,34	7,32	9,18	96
	5.0	5,80	-	-	1,20	5,80	6,80	0,33	2,17	2,58	1,48	9,80	11,68	96
	1.5+1.5	1,80	1,80	-	1,20	3,60	5,80	0,32	0,67	1,62	1,44	3,04	7,34	96
	1.5+2.0	1,71	2,29	-	1,20	4,00	5,80	0,32	0,77	1,60	1,44	3,49	7,25	96
	1.5+2.5	1,73	2,88	-	1,20	4,60	6,90	0,32	0,93	2,06	1,44	4,21	9,33	96
	1.5+3.5	1,65	3,85	-	1,20	5,50	7,00	0,32	1,22	2,25	1,44	5,53	10,19	96
	1.5+4.2	1,58	4,42	-	1,20	6,00	7,00	0,32	1,42	2,23	1,44	6,44	10,10	96
	1.5+5.0	1,57	5,23	-	1,30	6,80	7,20	0,32	1,58	2,30	1,44	7,16	10,42	96
	2.0+2.0	2,38	2,38	-	1,20	4,75	7,00	0,32	1,11	2,26	1,44	5,03	10,24	96
	2.0+2.5	2,31	2,89	-	1,20	5,20	7,00	0,32	1,21	2,25	1,44	5,47	10,19	96
	2.0+3.5	2,33	4,07	-	1,20	6,40	7,10	0,32	1,48	2,26	1,44	6,69	10,24	96
	2.0+4.2	2,19	4,61	-	1,20	6,80	7,10	0,32	1,56	2,24	1,44	7,07	10,14	96
	2.0+5.0	1,94	4,86	-	1,40	6,80	7,20	0,32	1,53	2,28	1,44	6,93	10,32	96
	2.5+2.5	2,90	2,90	-	1,20	5,80	7,00	0,32	1,31	2,23	1,44	5,91	10,10	96
	2.5+3.5	2,83	3,97	-	1,30	6,80	7,20	0,32	1,53	2,35	1,44	6,93	10,64	96
	2.5+4.2	2,54	4,26	-	1,30	6,80	7,20	0,32	1,52	2,33	1,44	6,89	10,55	96
	2.5+5.0	2,27	4,53	-	1,40	6,80	7,40	0,32	1,50	2,33	1,44	6,80	10,52	96
	3.5+3.5	3,40	3,40	-	1,40	6,80	7,30	0,32	1,52	2,38	1,44	6,89	10,78	96
	3.5+4.2	3,09	3,71	-	1,40	6,80	7,30	0,32	1,51	2,36	1,44	6,84	10,69	96
	3.5+5.0	2,80	4,00	-	1,45	6,80	7,50	0,32	1,50	2,30	1,44	6,80	10,42	96
	4.2+4.2	3,40	3,40	-	1,40	6,80	7,30	0,32	1,50	2,35	1,44	6,80	10,62	96
	1.5+1.5+1.5	1,83	1,83	1,83	1,30	5,50	8,00	0,32	1,13	2,12	1,44	5,13	9,60	96
	1.5+1.5+2.0	1,83	1,83	2,44	1,30	6,10	8,00	0,32	1,26	2,10	1,44	5,69	9,51	96
	1.5+1.5+2.5	1,83	1,83	3,05	1,30	6,70	8,00	0,32	1,37	2,08	1,44	6,20	9,42	96
	1.5+1.5+3.5	1,85	1,85	4,31	1,40	8,00	8,10	0,32	1,62	2,13	1,44	7,35	9,65	96
	1.5+1.5+4.2	1,42	1,42	3,97	1,40	6,80	8,10	0,32	1,38	2,11	1,44	6,25	9,56	96
	1.5+1.5+5.0	1,28	1,28	4,25	1,60	6,80	8,30	0,32	1,32	2,09	1,44	5,98	9,47	96
	1.5+2.0+2.0	1,83	2,44	2,44	1,30	6,70	8,00	0,32	1,37	2,14	1,44	6,20	9,69	96
	1.5+2.0+2.5	1,70	2,27	2,83	1,30	6,80	8,00	0,32	1,38	2,12	1,44	6,25	9,60	96
	1.5+2.0+3.5	1,46	1,94	3,40	1,40	6,80	8,10	0,32	1,37	2,16	1,44	6,21	9,78	96
	1.5+2.0+4.2	1,32	1,77	3,71	1,40	6,80	8,10	0,32	1,36	2,14	1,44	6,16	9,69	96
	1.5+2.0+5.0	1,20	1,60	4,00	1,60	6,80	8,30	0,32	1,31	2,07	1,44	5,94	9,38	96
	1.5+2.5+2.5	1,57	2,62	2,62	1,30	6,80	8,00	0,32	1,38	2,12	1,44	6,25	9,60	96
	1.5+2.5+3.5	1,36	2,27	3,17	1,40	6,80	8,10	0,32	1,37	2,13	1,44	6,21	9,65	96
	1.5+2.5+4.2	1,24	2,07	3,48	1,40	6,80	8,10	0,32	1,36	2,11	1,44	6,16	9,56	96
	1.5+2.5+5.0	1,13	1,89	3,78	1,60	6,80	8,30	0,32	1,30	2,09	1,44	5,89	9,47	96
	1.5+3.5+3.5	1,20	2,80	2,80	1,30	6,80	8,20	0,32	1,36	2,14	1,44	6,16	9,69	96
	2.0+2.0+2.0	2,27	2,27	2,27	1,30	6,80	8,00	0,32	1,39	2,13	1,44	6,30	9,65	96
2.0+2.0+2.5	2,09	2,09	2,62	1,30	6,80	8,00	0,32	1,38	2,11	1,44	6,25	9,56	96	
2.0+2.0+3.5	1,81	1,81	3,17	1,40	6,80	8,10	0,32	1,37	2,12	1,44	6,21	9,60	96	
2.0+2.0+4.2	1,66	1,66	3,48	1,40	6,80	8,10	0,32	1,36	2,10	1,44	6,16	9,51	96	
2.0+2.0+5.0	1,51	1,51	3,78	1,60	6,80	8,30	0,32	1,29	2,08	1,44	5,85	9,42	96	
2.0+2.5+2.5	1,94	2,43	2,43	1,30	6,80	8,00	0,32	1,37	2,09	1,44	6,21	9,47	96	
2.0+2.5+3.5	1,70	2,13	2,98	1,50	6,80	8,10	0,32	1,36	2,11	1,44	6,16	9,56	96	
2.0+2.5+4.2	1,56	1,95	3,28	1,50	6,80	8,10	0,32	1,35	2,11	1,44	6,12	9,56	96	
2.0+3.5+3.5	1,51	2,64	2,64	1,50	6,80	8,20	0,32	1,35	2,15	1,44	6,12	9,74	96	
2.5+2.5+2.5	2,27	2,27	2,27	1,40	6,80	8,00	0,32	1,36	2,07	1,44	6,16	9,38	96	
2.5+2.5+3.5	2,00	2,00	2,80	1,50	6,80	8,10	0,32	1,35	2,09	1,44	6,12	9,47	96	

Notes

- The total capacity of each connected indoor unit is up to -9.0-kW.
- The values mentioned in this document are for connecting with the following indoor unit types:
-1.5, 2.0, 2.5, 3.5, 4.2, 5.0- kW class
Wall-mounted - CTXA-AS, CTXA-AT, CTXA-AW, CTXA-BB, CTXA-BS, CTXA-BT, CTXM-M, CTXM-N, CTXM-R, FTXA-AS, FTXA-AT, FTXA-AW, FTXA-BB, FTXA-BS, FTXA-BT, FTXM-M, FTXM-N, FTXM-R, FTXJ-AB, FTXJ-AS, FTXJ-AW- series
- Heating capacity conditions
Indoor temperature -20°C DB
Outdoor temperature -7°C DB / -6°C WB
- For additional information on the connection of the DHW generator for Multi and the Hybrid for Multi, see -3D106169-.

4D139806B

4 Combination table

4 - 1 Combination Table

3MXM68A9

Cooling 230V 50Hz

Outdoor unit	Indoor unit	Cooling capacity [kW]			Total capacity [kW]			Power input [kW]			Total current [A]			Power factor [%]	
		Room -A-	Room -B-	Room -C-	Minimum	Nominal	Maximum	Minimum	Nominal	Maximum	Minimum	Nominal	Maximum		
3MXM68N2V1B 3MXM68N2V1B9 3MXM68A2V1B 3MXM68A2V1B9	1.5	1.60	-	-	1.52	1.60	2.49	0.40	0.42	0.59	1.82	1.98	2.71	95	
	2.0	2.00	-	-	1.65	2.00	3.00	0.41	0.43	0.67	1.89	2.08	3.08	95	
	2.5	2.50	-	-	1.74	2.50	3.44	0.44	0.44	0.82	2.00	2.62	3.77	95	
	3.5	3.50	-	-	1.93	3.50	4.86	0.46	0.46	1.43	2.09	3.84	6.53	95	
	4.2	4.20	-	-	1.93	4.20	5.33	0.46	0.46	1.43	2.09	3.93	6.56	95	
	5.0	5.00	-	-	1.94	5.00	6.03	0.44	0.44	2.13	2.00	7.20	9.77	95	
	6.0	6.00	-	-	1.94	6.00	6.51	0.44	0.44	2.13	2.00	7.29	9.77	95	
	1.5+1.5	1.50	1.50	-	-	1.95	3.00	4.79	0.40	0.51	1.15	1.81	2.34	5.25	95
	1.5+2.0	1.50	2.00	-	-	1.95	3.50	4.96	0.40	0.62	1.22	1.81	2.84	5.58	95
	1.5+2.5	1.50	2.50	-	-	1.95	4.00	5.28	0.40	0.75	1.36	1.81	3.44	6.23	95
	1.5+3.5	1.50	3.50	-	-	1.95	5.00	6.17	0.39	1.04	1.83	1.77	4.76	8.39	95
	1.5+4.2	1.50	4.20	-	-	1.95	5.70	6.39	0.39	1.27	1.96	1.77	5.82	8.97	95
	1.5+5.0	1.50	5.00	-	-	1.95	6.50	7.08	0.38	1.50	2.23	1.73	6.87	10.22	95
	1.5+6.0	1.36	5.44	-	-	1.96	6.80	7.59	0.37	1.62	2.36	1.68	7.42	10.79	95
	2.0+2.0	2.00	2.00	-	-	1.95	4.00	5.12	0.40	0.75	1.29	1.81	3.44	5.91	95
	2.0+2.5	2.00	2.50	-	-	1.95	4.50	5.44	0.40	0.89	1.43	1.81	4.08	6.56	95
	2.0+3.5	2.00	3.50	-	-	1.95	5.50	6.30	0.39	1.17	1.91	1.77	5.36	8.76	95
	2.0+4.2	2.00	4.20	-	-	1.95	6.20	6.51	0.39	1.43	2.05	1.77	6.55	9.37	95
	2.0+5.0	1.94	4.86	-	-	1.95	6.80	7.26	0.38	1.59	2.36	1.73	7.28	10.79	95
	2.0+6.0	1.70	5.10	-	-	1.96	6.80	7.71	0.37	1.61	2.45	1.68	7.37	11.20	95
	2.5+2.5	2.50	2.50	-	-	1.95	5.00	6.10	0.41	1.01	1.78	1.89	4.63	8.15	95
	2.5+3.5	2.50	3.50	-	-	1.95	6.00	6.57	0.40	1.29	2.11	1.81	5.91	9.65	95
	2.5+4.2	2.50	4.20	-	-	1.95	6.70	6.95	0.40	1.51	2.38	1.81	6.92	10.88	95
	2.5+5.0	2.27	4.53	-	-	1.95	6.80	7.37	0.37	1.50	2.45	1.68	6.87	11.20	95
	2.5+6.0	2.00	4.80	-	-	1.96	6.80	7.71	0.35	1.48	2.45	1.60	6.78	11.20	95
	3.5+3.5	3.40	3.40	-	-	1.95	6.80	7.13	0.38	1.45	2.37	1.73	6.64	10.83	95
	3.5+4.2	3.09	3.71	-	-	1.95	6.80	7.24	0.38	1.45	2.46	1.73	6.64	11.24	95
	3.5+5.0	2.80	4.00	-	-	1.95	6.80	7.76	0.35	1.42	2.78	1.60	6.50	12.71	95
	3.5+6.0	2.51	4.29	-	-	2.26	6.80	8.07	0.40	1.40	2.72	1.81	6.41	12.46	95
	4.2+4.2	3.40	3.40	-	-	1.95	6.80	7.14	0.38	1.44	2.37	1.73	6.60	10.83	95
	4.2+5.0	3.10	3.70	-	-	1.95	6.80	7.77	0.35	1.41	2.78	1.60	6.46	12.71	95
	4.2+6.0	2.80	4.00	-	-	2.26	6.80	8.08	0.40	1.40	2.72	1.81	6.41	12.46	95
	5.0+5.0	3.40	3.40	-	-	2.34	6.80	8.22	0.43	1.38	2.98	1.98	6.32	13.65	95
	5.0+6.0	3.09	3.71	-	-	2.47	6.80	8.45	0.44	1.37	2.92	2.02	6.28	13.36	95
	1.5+1.5+1.5	1.50	1.50	1.50	-	1.96	4.50	6.40	0.39	0.61	1.57	1.77	2.80	7.17	95
	1.5+1.5+2.0	1.44	1.44	1.92	-	1.96	4.80	6.56	0.39	0.70	1.65	1.77	3.21	7.54	95
	1.5+1.5+2.5	1.42	1.42	2.36	-	1.96	5.20	6.72	0.39	0.83	1.73	1.77	3.81	7.90	95
	1.5+1.5+3.5	1.50	1.50	3.50	-	1.96	6.50	7.11	0.38	1.56	1.92	1.73	7.14	8.80	95
	1.5+1.5+4.2	1.42	1.42	3.97	-	1.96	6.80	7.33	0.38	1.80	2.05	1.73	8.24	9.37	95
	1.5+1.5+5.0	1.28	1.28	4.25	-	1.96	6.80	7.74	0.36	1.75	2.22	1.64	8.01	10.14	95
	1.5+1.5+6.0	1.13	1.13	4.53	-	2.31	6.80	7.99	0.40	1.73	2.17	1.85	7.92	9.94	95
	1.5+2.0+2.0	1.50	2.00	2.00	-	1.96	5.50	6.48	0.39	1.01	1.61	1.77	4.63	7.37	95
	1.5+2.0+2.5	1.50	2.00	2.50	-	1.96	6.00	6.87	0.39	1.32	1.81	1.77	6.05	8.26	95
	1.5+2.0+3.5	1.46	1.94	3.40	-	1.96	6.80	7.25	0.38	1.80	2.01	1.73	8.24	9.21	95
	1.5+2.0+4.2	1.32	1.77	3.71	-	1.96	6.80	7.47	0.38	1.79	2.14	1.73	8.20	9.78	95
	1.5+2.0+5.0	1.20	1.60	4.00	-	1.96	6.80	7.87	0.36	1.74	2.31	1.64	7.97	10.55	95
	1.5+2.0+6.0	1.07	1.43	4.29	-	2.31	6.80	8.13	0.40	1.72	2.26	1.85	7.88	10.35	95
	1.5+2.5+2.5	1.50	2.50	2.50	-	1.96	6.50	7.10	0.38	1.63	1.92	1.73	7.46	8.80	95
	1.5+2.5+3.5	1.36	2.27	3.17	-	1.96	6.80	7.60	0.36	1.79	2.23	1.64	8.20	10.18	95
	1.5+2.5+4.2	1.24	2.07	3.48	-	1.96	6.80	7.81	0.36	1.78	2.35	1.64	8.15	10.75	95
	1.5+2.5+5.0	1.13	1.89	3.78	-	1.96	6.80	7.95	0.36	1.74	2.35	1.64	7.97	10.75	95
	1.5+2.5+6.0	1.02	1.70	4.08	-	2.31	6.80	8.42	0.41	1.71	2.44	1.89	7.83	11.16	95
	1.5+3.5+3.5	1.20	2.80	2.80	-	1.96	6.80	7.94	0.37	1.77	2.45	1.68	8.11	11.20	95
	1.5+3.5+4.2	1.11	2.59	3.10	-	1.96	6.80	8.13	0.37	1.76	2.58	1.68	8.06	11.81	95
	1.5+3.5+5.0	1.02	2.38	3.40	-	1.96	6.80	8.46	0.33	1.72	2.72	1.52	7.88	12.46	95
	1.5+3.5+6.0	0.93	2.16	3.71	-	2.31	6.80	8.56	0.41	1.70	2.53	1.89	7.79	11.57	95
	1.5+4.2+4.2	1.03	2.88	2.88	-	1.96	6.80	8.26	0.37	1.75	2.68	1.68	8.01	12.26	95
	1.5+4.2+5.0	0.95	2.67	3.18	-	1.96	6.80	8.53	0.33	1.71	2.77	1.52	7.83	12.67	95
	2.0+2.0+2.0	2.00	2.00	2.00	-	1.96	6.00	6.64	0.39	1.34	1.68	1.77	6.14	7.70	95
	2.0+2.0+2.5	2.00	2.00	2.50	-	1.96	6.50	7.03	0.39	1.63	1.89	1.77	7.46	8.64	95
	2.0+2.0+3.5	1.81	1.81	3.17	-	1.96	6.80	7.40	0.38	1.79	2.09	1.73	8.20	9.57	95
	2.0+2.0+4.2	1.66	1.66	3.48	-	1.96	6.80	7.61	0.38	1.78	2.23	1.73	8.15	10.18	95
	2.0+2.0+5.0	1.51	1.51	3.78	-	1.96	6.80	8.01	0.36	1.74	2.39	1.64	7.97	10.96	95
	2.0+2.0+6.0	1.36	1.36	4.08	-	2.31	6.80	8.27	0.40	1.71	2.35	1.85	7.83	10.75	95
	2.0+2.5+2.5	1.94	2.43	2.43	-	1.96	6.80	7.24	0.38	1.77	2.01	1.73	8.11	9.21	95
	2.0+2.5+3.5	1.70	2.13	2.98	-	1.96	6.80	7.74	0.36	1.76	2.31	1.64	8.06	10.55	95
	2.0+2.5+4.2	1.56	1.95	3.28	-	1.96	6.80	7.94	0.36	1.75	2.45	1.64	8.01	11.20	95
	2.0+2.5+5.0	1.43	1.79	3.58	-	1.96	6.80	8.08	0.36	1.71	2.44	1.64	7.83	11.16	95
	2.0+2.5+6.0	1.30	1.62	3.89	-	2.31	6.80	8.55	0.41	1.69	2.53	1.89	7.74	11.57	95
	2.0+3.5+3.5	1.51	2.64	2.64	-	1.96	6.80	8.07	0.37	1.74	2.54	1.68	7.97	11.61	95
	2.0+3.5+4.2	1.40	2.45	2.94	-	1.96	6.80	8.25	0.37	1.74	2.68	1.68	7.97	12.26	95
	2.0+3.5+5.0	1.30	2.27	3.24	-	2.28	6.80	8.58	0.40	1.69	2.82	1.85	7.74	12.91	95
	2.0+4.2+4.2	1.31	2.75	2.75	-	1.96	6.80	8.37	0.37	1.73	2.77	1.68	7.92	12.67	95
	2.5+2.5+2.5	2.27	2.27	2.27	-	1.96	6.80	7.53	0.38	1.76	2.18	1.73	8.06	9.98	95
2.5+2.5+3.5	2.00	2.00	2.80	-	1.96	6.80	7.94	0.36	1.72	2.45	1.64	7.88	11.20	95	
2.5+2.5+4.2	1.85	1.85	3.10	-	1.96	6.80	8.12	0.36	1.71	2.58	1.64	7.83	11.81	95	
2.5+2.5+5.0	1.70	1.70	3.40	-	2.28	6.80	8.45	0.40	1.67	2.72	1.85	7.65	12.46	95	
2.5+2.5+6.0	1.55	1.55	3.71	-	2.42	6.80	8.74	0.40	1.65	2.67	1.85	7.56	12.22	95	
2.5+3.5+3.5	1.79	2.51	2.51	-	2.27	6.80	8.30	0.40	1.70	2.72	1.85	7.79	12.46	95	
2.5+3.5+4.2	1.67	2.33	2.80	-	2.27	6.80	8.43	0.40	1.69	2.82	1.85	7.74	12.91	95	
2.5+3.5+5.0	1.55	2.16	3.09	-	2.48	6.80	8.74	0.42	1.65	2.96	1.94	7.56	13.56	95	
2.5+4.2+4.2	1.56	2.62	2.62	-	2.27	6.80	8.49	0.40	1.68	2.87	1.85	7.69	13.12	95	
3.5+3.5+3.5	2.27	2.27	2.27	-	2.38	6.80	8.59	0.40	1.68	2.96	1.81	7.69	13.56	95	

Notes

- The total capacity of each connected indoor unit is up to 11.0-kW.
- The values mentioned in this document are for connecting with the following indoor unit types:
Wall-mounted - CTXA-AS, CTXA-AT, CTXA-AW, CTXA-BB, CTXA-B5, CTXA-BT, CTXM-N, CTXM-N, CTXM-R, FTXA-AS, FTXA-AT, FTXA-AW, FTXA-BB, FTXA-B5, FTXA-BT, FTXM-M, FTXM-N, FTXM-R, FTXJ-AB, FTXJ-AS, FTXJ-AW series
- Cooling capacity conditions
Indoor temperature 27°C DB / 19°C WB
Outdoor temperature 35°C DB
- For additional information on the connection of the DHW generator for Multi and the Hybrid for Multi, see 3D106169.

4D139808B

4 Combination table

4 - 1 Combination Table

3MXM68A9

Heating *230V 50Hz-

Outdoor unit	Indoor unit	Heating capacity [kW]			Total capacity [kW]			Power input [kW]			Total current [A]			Power factor [%]
		Room · A·	Room · B·	Room · C·	Minimum	Nominal	Maximum	Minimum	Nominal	Maximum	Minimum	Nominal	Maximum	
3MXM68N2V1B 3MXM68N2V1B9 3MXM68A2V1B 3MXM68A2V1B9	1.5	2,70	-	-	1,20	2,70	4,08	0,34	0,72	1,22	1,55	3,35	5,59	95
	2.0	3,00	-	-	1,19	3,00	4,09	0,34	0,81	1,28	1,57	3,70	5,64	95
	2.5	3,40	-	-	1,22	3,40	4,30	0,35	1,02	1,37	1,61	4,72	6,08	95
	3.5	4,30	-	-	1,33	4,30	4,90	0,37	1,41	1,75	1,67	6,50	7,15	95
	4.2	4,90	-	-	1,44	4,90	5,70	0,40	1,58	2,04	1,82	7,25	7,15	95
	5.0	5,90	-	-	1,66	5,90	6,90	0,39	1,92	2,59	1,78	8,78	8,70	95
	6.0	7,20	-	-	1,88	7,20	8,91	0,37	2,39	2,64	1,69	10,94	12,08	95
	1.5+1.5	1,83	1,83	-	1,33	3,65	7,38	0,29	0,82	1,83	1,31	3,75	8,38	95
	1.5+2.0	1,76	2,34	-	1,39	4,10	7,76	0,30	0,94	1,99	1,37	4,31	9,09	95
	1.5+2.5	1,76	2,94	-	1,65	4,70	7,95	0,36	1,10	2,06	1,63	5,04	9,43	95
	1.5+3.5	1,77	4,13	-	1,80	5,90	8,50	0,37	1,45	2,35	1,68	6,61	10,74	95
	1.5+4.2	1,79	5,01	-	1,80	6,80	8,85	0,37	1,72	2,57	1,68	7,88	11,75	95
	1.5+5.0	1,80	6,00	-	2,18	7,80	10,38	0,45	2,03	2,91	2,06	9,27	13,31	95
	1.5+6.0	1,72	6,88	-	2,46	8,60	10,58	0,48	2,28	2,67	2,19	10,44	12,21	95
	2.0+2.0	2,40	2,40	-	1,65	4,80	7,95	0,36	1,01	2,31	1,63	4,63	9,47	95
	2.0+2.5	2,36	2,94	-	1,65	5,30	8,12	0,36	1,17	2,32	1,63	5,34	9,81	95
	2.0+3.5	2,36	4,14	-	1,80	6,50	8,67	0,37	1,52	2,43	1,68	6,94	11,12	95
	2.0+4.2	2,39	5,01	-	1,80	7,40	9,03	0,37	1,83	2,66	1,68	8,38	12,17	95
	2.0+5.0	2,37	5,93	-	2,18	8,30	10,56	0,45	2,18	3,00	2,06	9,98	13,73	95
	2.0+6.0	2,15	6,45	-	2,46	8,60	10,75	0,48	2,24	2,74	2,19	10,26	12,55	95
	2.5+2.5	2,95	2,95	-	1,65	5,90	8,49	0,36	1,33	2,36	1,63	6,08	10,78	95
	2.5+3.5	2,96	4,14	-	1,89	7,10	9,03	0,38	1,72	2,66	1,72	7,86	12,17	95
	2.5+4.2	2,99	5,01	-	1,89	8,00	9,29	0,38	2,03	2,82	1,72	9,31	12,93	95
	2.5+5.0	2,87	5,73	-	2,27	8,60	10,68	0,46	2,24	3,09	2,11	10,26	14,15	95
	2.5+6.0	2,53	6,07	-	2,55	8,60	10,88	0,50	2,22	2,77	2,28	10,17	12,67	95
	3.5+3.5	4,15	4,15	-	2,17	8,30	9,38	0,42	2,18	2,86	1,94	9,98	13,09	95
	3.5+4.2	3,91	4,69	-	2,17	8,60	9,47	0,42	2,26	2,91	1,94	10,35	13,31	95
	3.5+5.0	3,54	5,06	-	2,56	8,60	10,90	0,51	2,22	3,13	2,32	10,17	14,32	95
	3.5+6.0	3,17	5,43	-	2,74	8,60	11,01	0,52	2,21	2,76	2,37	10,12	12,63	95
	4.2+4.2	4,30	4,30	-	2,17	8,60	9,56	0,42	2,22	2,94	1,94	10,17	13,47	95
	4.2+5.0	3,93	4,67	-	2,56	8,60	10,91	0,51	2,21	3,19	2,32	10,12	14,61	95
	4.2+6.0	3,54	5,06	-	2,74	8,60	11,02	0,51	2,20	2,79	2,32	10,07	12,76	95
	5.0+5.0	4,30	4,30	-	2,94	8,60	11,10	0,59	2,17	3,11	2,71	9,94	14,23	95
	5.0+6.0	3,91	4,69	-	3,14	8,60	11,10	0,60	2,15	2,72	2,75	9,84	12,46	95
	1.5+1.5+1.5	1,83	1,83	1,83	1,80	5,50	9,92	0,37	1,13	2,26	1,69	5,15	10,36	95
	1.5+1.5+2.0	1,83	1,83	2,44	1,94	6,10	10,10	0,40	1,29	2,34	1,83	5,91	10,69	95
	1.5+1.5+2.5	1,83	1,83	3,05	2,09	6,70	10,18	0,42	1,48	2,37	1,93	6,80	10,86	95
	1.5+1.5+3.5	1,85	1,85	4,31	2,31	8,00	10,29	0,44	1,82	2,49	2,02	8,35	11,41	95
	1.5+1.5+4.2	1,79	1,79	5,02	2,31	8,60	10,29	0,44	2,03	2,49	2,02	9,30	11,41	95
	1.5+1.5+5.0	1,61	1,61	5,38	2,71	8,60	10,46	0,55	2,01	2,57	2,50	9,20	11,75	95
	1.5+1.5+6.0	1,43	1,43	5,73	2,93	8,60	10,59	0,55	1,99	2,31	2,50	9,11	10,57	95
	1.5+2.0+2.0	1,83	2,44	2,44	2,01	6,70	10,26	0,41	1,60	2,41	1,89	7,31	11,03	95
	1.5+2.0+2.5	1,83	2,43	3,04	2,10	7,30	10,36	0,42	1,73	2,44	1,94	7,93	11,16	95
	1.5+2.0+3.5	1,82	2,43	4,25	2,31	8,50	10,45	0,44	2,00	2,58	2,02	9,14	11,79	95
	1.5+2.0+4.2	1,68	2,23	4,69	2,31	8,60	10,46	0,44	2,01	2,57	2,02	9,20	11,75	95
1.5+2.0+5.0	1,52	2,02	5,06	2,71	8,60	10,88	0,55	2,00	2,64	2,50	9,16	12,08	95	
1.5+2.0+6.0	1,36	1,81	5,43	2,93	8,60	10,89	0,55	1,98	2,38	2,50	9,07	10,91	95	
1.5+2.5+2.5	1,85	3,08	3,08	2,20	8,00	10,47	0,45	1,89	2,44	2,06	8,64	11,16	95	
1.5+2.5+3.5	1,72	2,87	4,01	2,40	8,60	10,58	0,47	2,02	2,57	2,15	9,25	11,75	95	
1.5+2.5+4.2	1,57	2,62	4,40	2,41	8,60	10,58	0,47	2,00	2,57	2,15	9,16	11,75	95	
1.5+2.5+5.0	1,43	2,39	4,78	2,81	8,60	11,00	0,56	1,99	2,64	2,58	9,11	12,08	95	
1.5+2.5+6.0	1,29	2,15	5,16	3,02	8,60	11,00	0,57	1,97	2,38	2,62	9,02	10,91	95	
1.5+3.5+3.5	1,52	3,54	3,54	2,69	8,60	10,59	0,55	1,99	2,57	2,50	9,11	11,75	95	
1.5+3.5+4.2	1,40	3,27	3,93	2,69	8,60	10,59	0,55	1,98	2,56	2,50	9,07	11,71	95	
1.5+3.5+5.0	1,29	3,01	4,30	3,00	8,60	10,93	0,62	1,97	2,59	2,84	9,02	11,87	95	
1.5+3.5+6.0	1,17	2,74	4,69	2,93	8,60	10,93	0,55	1,96	2,37	2,50	8,98	10,86	95	
1.5+4.2+4.2	1,30	3,65	3,65	2,69	8,60	10,68	0,55	1,98	2,59	2,50	9,07	11,87	95	
1.5+4.2+5.0	1,21	3,38	4,02	3,00	8,60	10,99	0,62	1,96	2,67	2,84	8,98	12,21	95	
2.0+2.0+2.0	2,50	2,50	2,50	2,01	7,50	10,44	0,41	1,65	2,48	1,89	7,57	11,37	95	
2.0+2.0+2.5	2,46	2,46	3,08	2,10	8,00	10,52	0,42	1,79	2,52	1,94	8,17	11,54	95	
2.0+2.0+3.5	2,29	2,29	4,01	2,31	8,60	10,63	0,44	2,04	2,65	2,02	9,34	12,13	95	
2.0+2.0+4.2	2,10	2,10	4,40	2,31	8,60	10,63	0,44	2,02	2,65	2,02	9,25	12,13	95	
2.0+2.0+5.0	1,91	1,91	4,78	2,71	8,60	10,82	0,55	2,00	2,72	2,50	9,16	12,46	95	
2.0+2.0+6.0	1,72	1,72	5,16	2,93	8,60	10,95	0,55	1,99	2,46	2,50	9,11	11,24	95	
2.0+2.5+2.5	2,43	3,04	3,04	2,20	8,50	10,54	0,43	1,95	2,61	1,98	8,91	11,96	95	
2.0+2.5+3.5	2,15	2,69	3,76	2,40	8,60	10,63	0,46	2,02	2,65	2,11	9,25	12,13	95	
2.0+2.5+4.2	1,98	2,47	4,15	2,41	8,60	10,64	0,46	2,01	2,64	2,11	9,20	12,08	95	
2.0+2.5+5.0	1,81	2,26	4,53	2,81	8,60	11,06	0,56	1,98	2,75	2,58	9,07	12,59	95	
2.0+2.5+6.0	1,64	2,05	4,91	3,02	8,60	11,07	0,56	1,98	2,43	2,58	9,07	11,12	95	
2.0+3.5+3.5	1,91	3,34	3,34	2,69	8,60	10,76	0,52	2,00	2,70	2,37	9,16	12,34	95	
2.0+3.5+4.2	1,77	3,10	3,72	2,69	8,60	10,76	0,52	1,99	2,69	2,37	9,11	12,29	95	
2.0+3.5+5.0	1,64	2,87	4,10	3,00	8,60	11,11	0,58	1,98	2,82	2,67	9,07	12,88	95	
2.0+4.2+4.2	1,65	3,47	3,47	2,69	8,60	10,77	0,52	1,97	2,69	2,37	9,02	12,29	95	
2.5+2.5+2.5	2,87	2,87	2,87	2,31	8,60	10,65	0,45	1,99	2,64	2,06	9,11	12,08	95	
2.5+2.5+3.5	2,53	2,53	3,54	2,50	8,60	10,87	0,48	1,99	2,72	2,19	9,11	12,46	95	
2.5+2.5+4.2	2,34	2,34	3,93	2,50	8,60	10,88	0,48	1,97	2,72	2,19	9,02	12,46	95	
2.5+2.5+5.0	2,15	2,15	4,30	2,91	8,60	11,07	0,58	1,96	2,78	2,67	8,98	12,72	95	
2.5+2.5+6.0	1,95	1,95	4,69	3,12	8,60	11,08	0,58	1,94	2,43	2,67	8,88	11,12	95	
2.5+3.5+3.5	2,26	3,17	3,17	2,78	8,60	11,00	0,53	1,96	2,72	2,41	8,98	12,46	95	
2.5+3.5+4.2	2,11	2,95	3,54	2,79	8,60	11,01	0,53	1,96	2,71	2,41	8,98	12,42	95	
2.5+3.5+5.0	1,95	2,74	3,91	3,19	8,60	11,08	0,60	1,90	2,74	2,75	8,70	12,55	95	
2.5+4.2+4.2	1,97	3,31	3,31	2,79	8,60	11,01	0,53	1,95	2,71	2,41	8,93	12,42	95	
3.5+3.5+3.5	2,87	2,87	2,87	2,98	8,60	11,06	0,57	1,94	2,79	2,62	8,88	12,76	95	

Notes

- The total capacity of each connected indoor unit is up to ·11.0·kW.
- The values mentioned in this document are for connecting with the following indoor unit types:
-1.5, 2.0, 2.5, 3.5, 4.2, 5.0, 6.0· kW class
Wall-mounted·CTXA-AS, CXTA-AT, CXTA-AW, CXTA-BB, CXTA-BS, CXTA-BT, CXTM-M, CXTM-N, CXTM-R, FTXA-AS, FTXA-AT, FTXA-AW, FTXA-BB, FTXA-BS, FTXA-BT, FTXM-M, FTXM-N, FTXM-R, FTJX-AB, FTJX-AS, FTJX-AW· series
- Heating capacity conditions
Indoor temperature·20·°C·DB
Outdoor temperature·7·°C·DB /·6·°C·WB
- For additional information on the connection of the DHW generator for Multi and the Hybrid for Multi, see·3D106169·.

4D139809B

5 Capacity tables

5 - 1 Capacity Table Legend

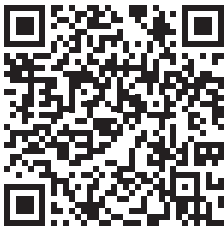
In order to fulfill more your requirements on quick access of data in the format you require, we have developed a tool to consult capacity tables.

Below you can find the link to the capacity table database and an overview of all the tools we have to help you select the correct product:

- **Capacity table database:** lets you find back and export quickly the capacity information you are looking for based upon unit model, refrigerant temperature and connection ratio.
- You can access the capacity table viewer here:
https://my.daikin.eu/content/denv/en_US/home/applications/software-finder/capacity-table-viewer.html



- An overview of **all software tools** that we offer can be found here:
https://my.daikin.eu/denv/en_US/home/applications/software-finder.html

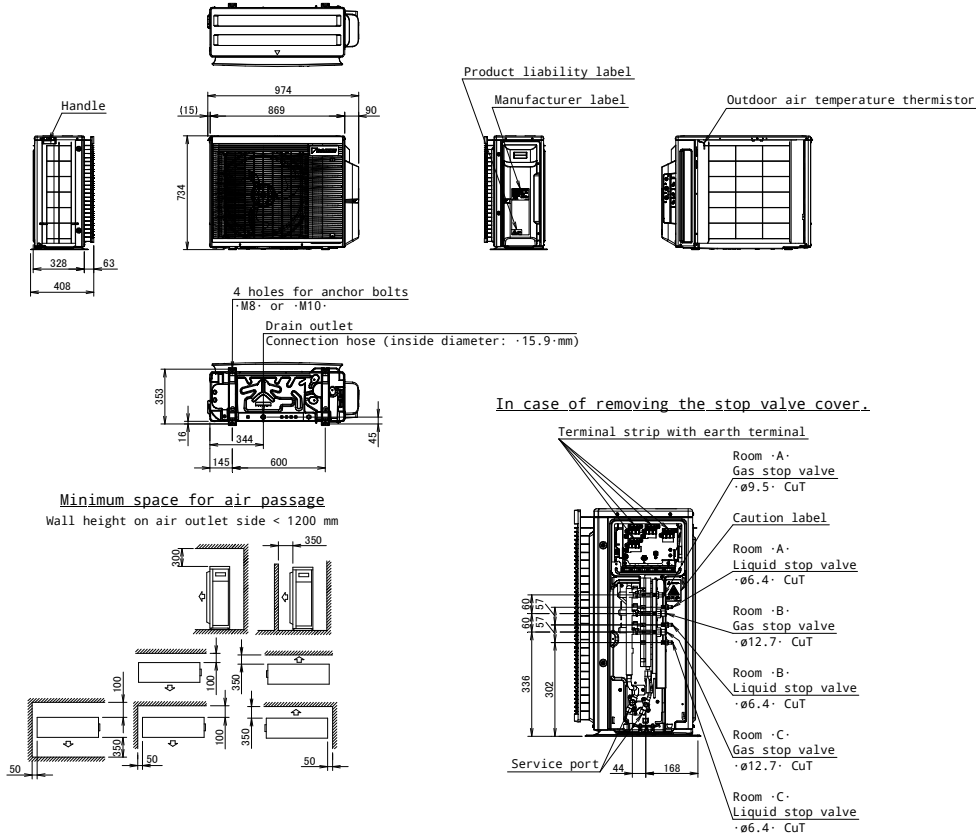


6 Dimensional drawings

6 - 1 Dimensional Drawings

6

3MXM-A9

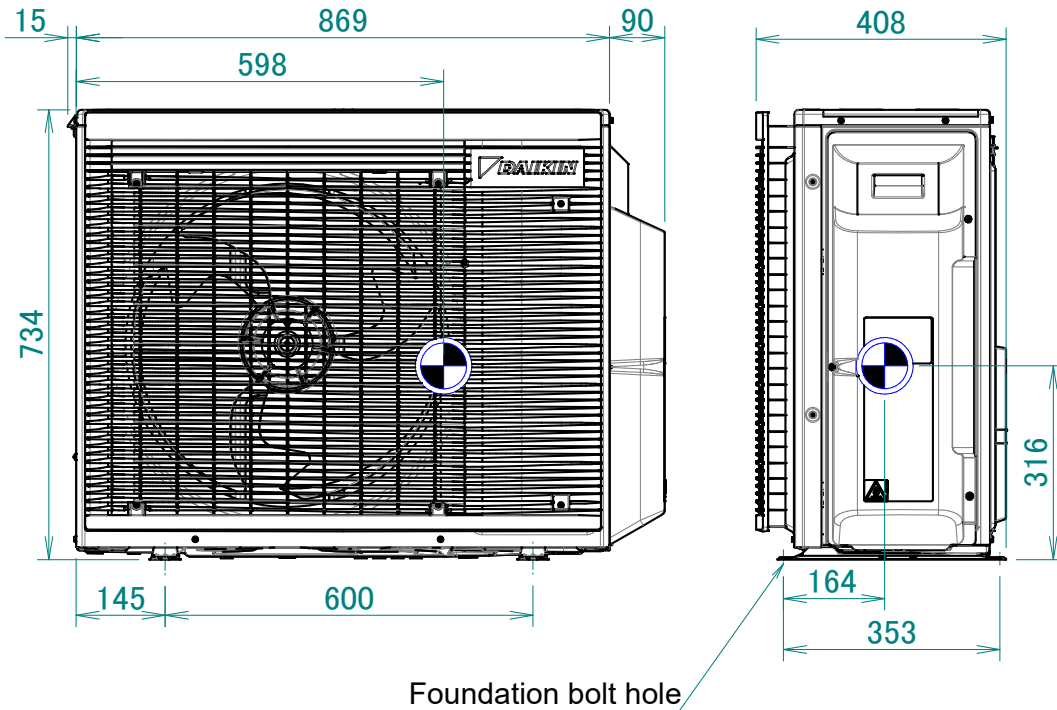


3D144278

7 Centre of gravity

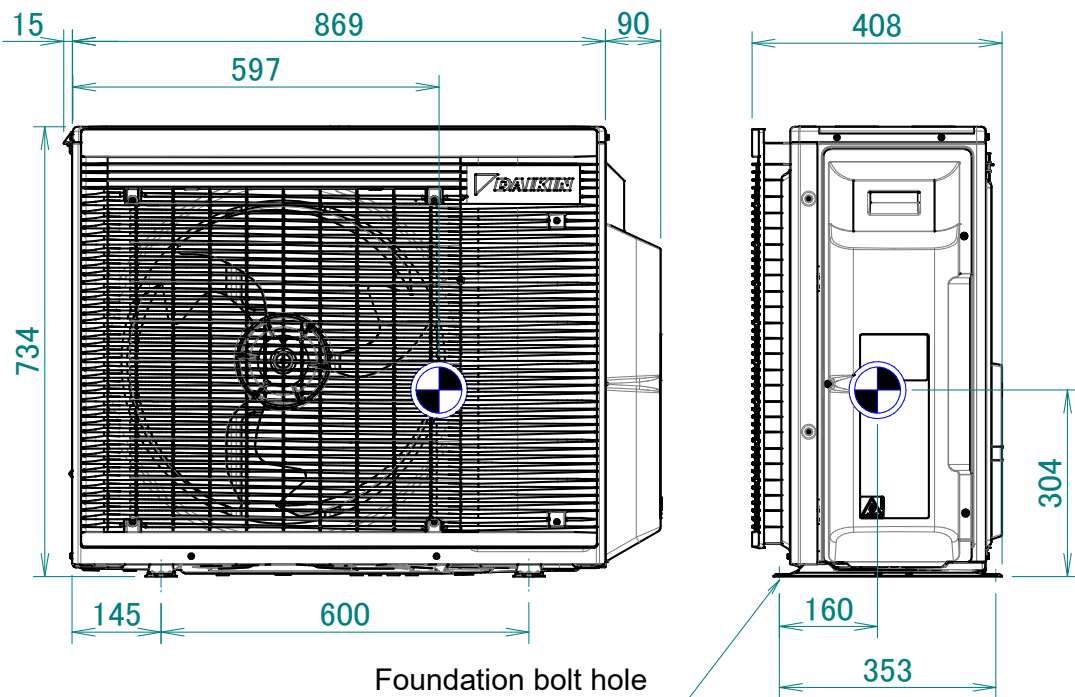
7 - 1 Centre of Gravity

3MXM40-52A9



4D139695

3MXM68A9



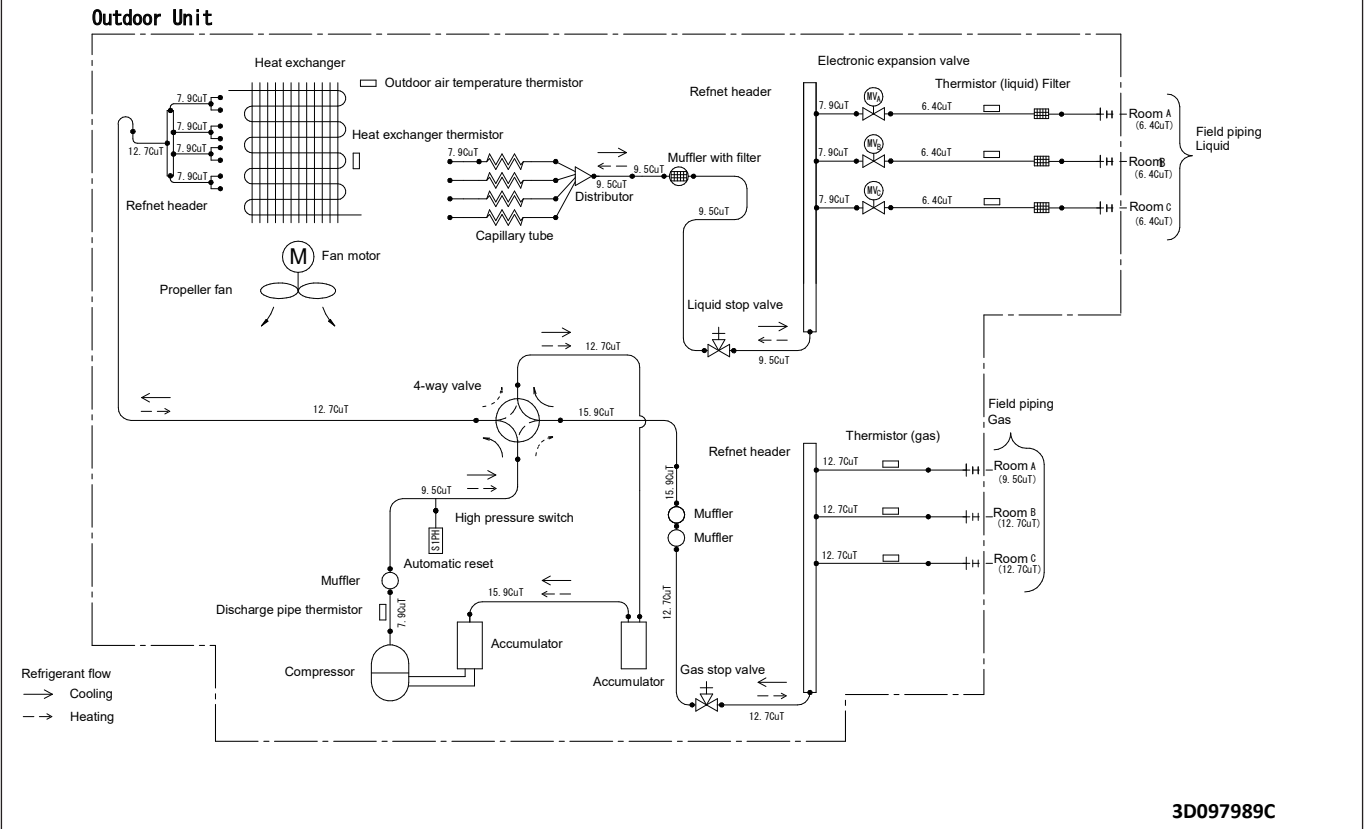
4D139696

8 Piping diagrams

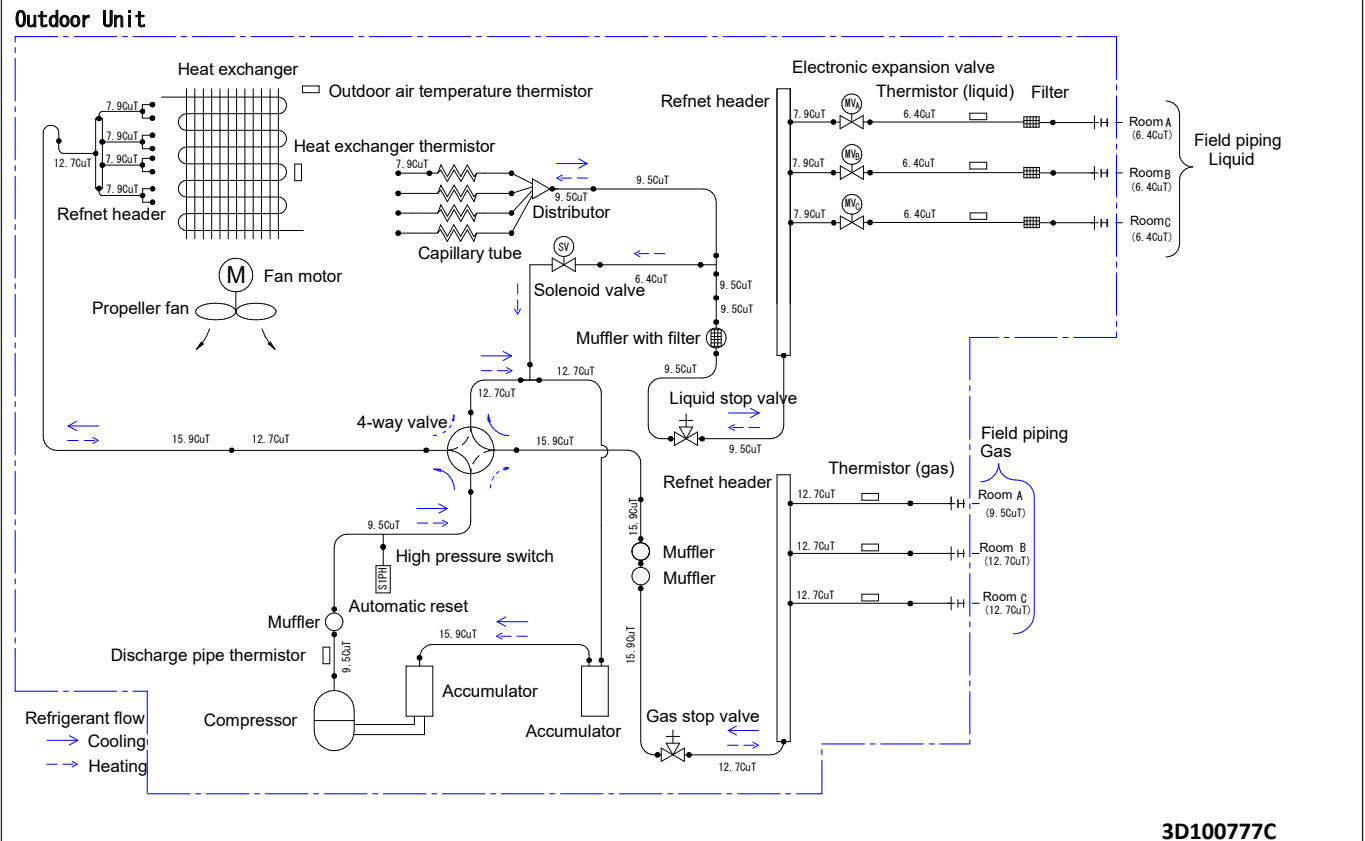
8 - 1 Piping Diagrams

8

3MXM40-52A9



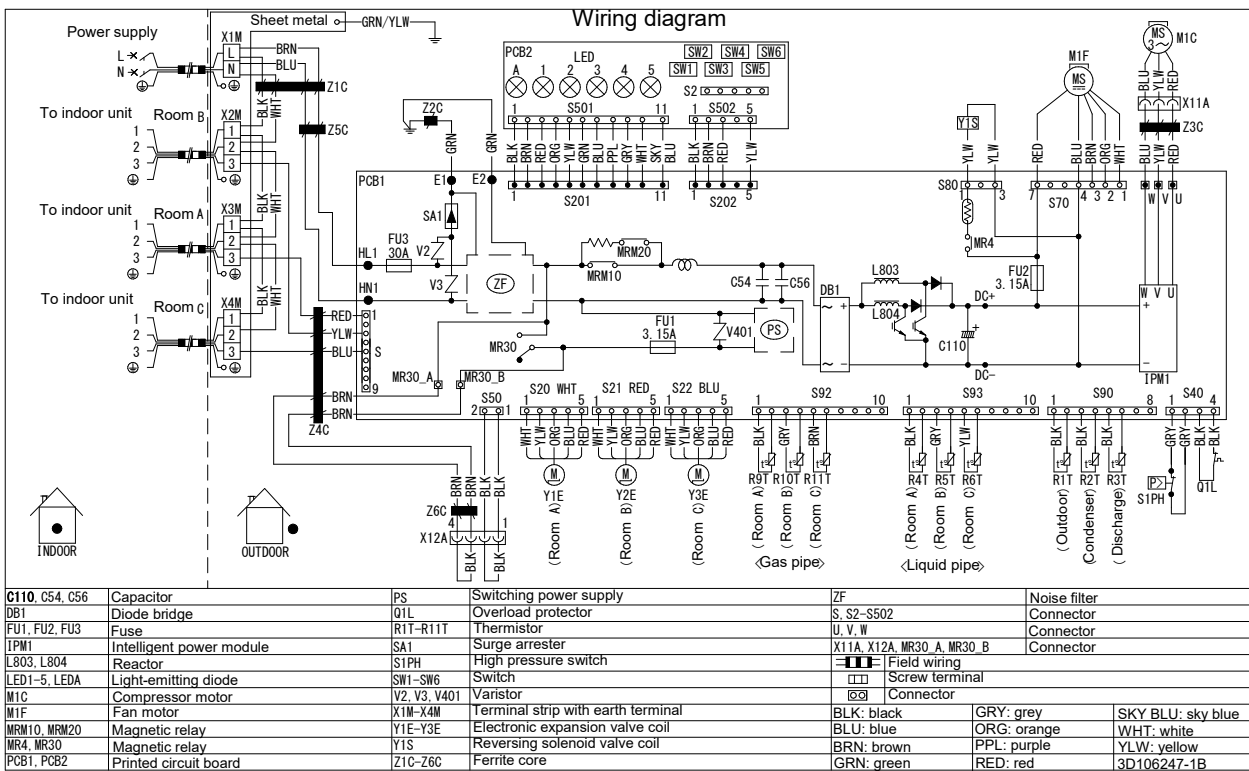
3MXM68A9



9 Wiring diagrams

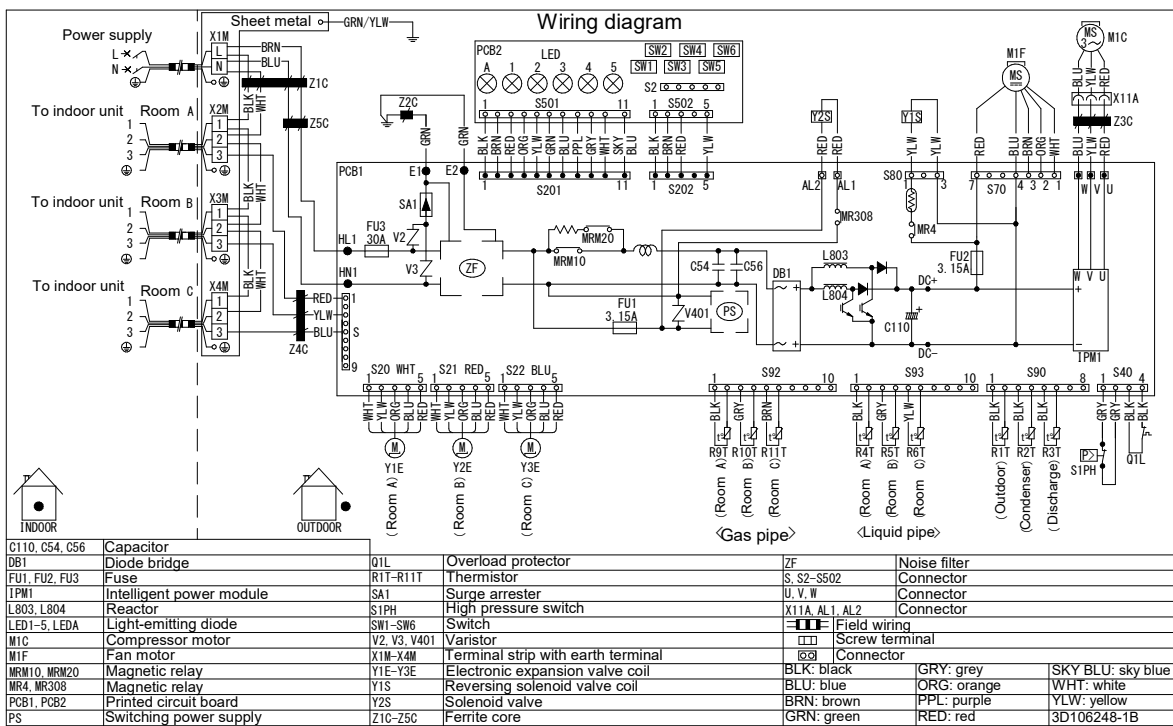
9 - 1 Wiring Diagrams - Single Phase

3MXM40-52A9



3D106247B

3MXM68A9



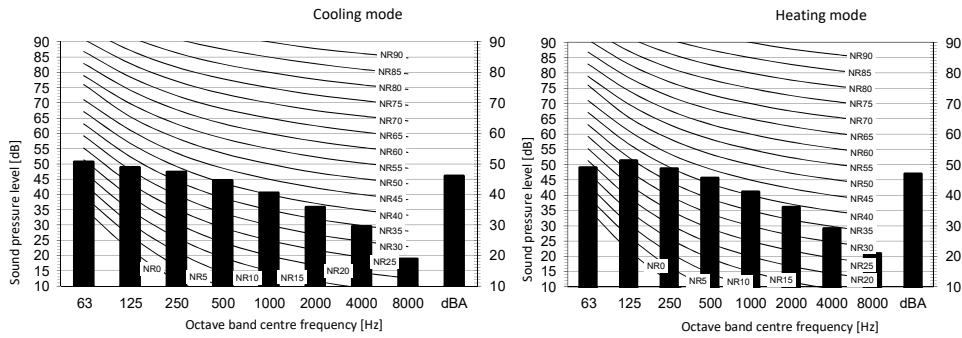
3D106248B

10 Sound data

10 - 1 Sound Pressure Spectrum

10

3MXM40-52A9



Legend

dBA = A-weighted sound pressure level (A scale according to IEC).

A Scale

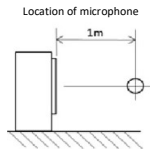
Cooling Total dB

Heating Total dB

B Fan speed: High

A	B
dBA	46

A	B
dBA	47

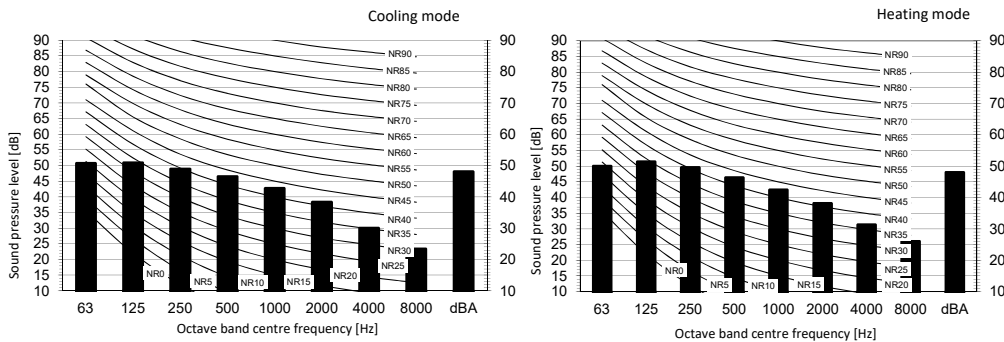


Notes

1. Operating conditions: power source 220-240 V/220 V 50/60 Hz; JIS standard
2. Background noise already taken into account.
3. Operating noise varies depending on operation and ambient conditions.
4. The operation noise measuring method is in accordance with JISC9612.
5. Measuring location: anechoic chamber
6. The values above are for connecting with the following indoor unit types:
1.5, 2.0, 2.5, 3.5, kW Class

3D106222B

2MXM68A9 3MXM68A9



Legend

dBA = A-weighted sound pressure level (A scale according to IEC).

A Scale

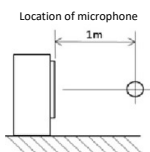
Cooling Total dB

Heating Total dB

B Fan speed: High

A	B
dBA	48

A	B
dBA	49



Notes

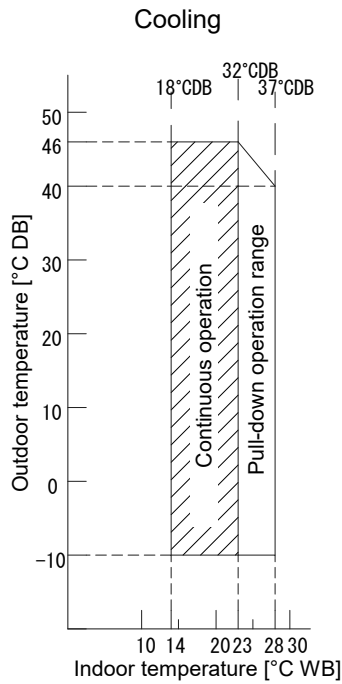
1. Operating conditions: power source 220-240 V/220 V 50/60 Hz; JIS standard
2. Background noise already taken into account.
3. Operating noise varies depending on operation and ambient conditions.
4. The operation noise measuring method is in accordance with JISC9612.
5. Measuring location: anechoic chamber

3D106223B

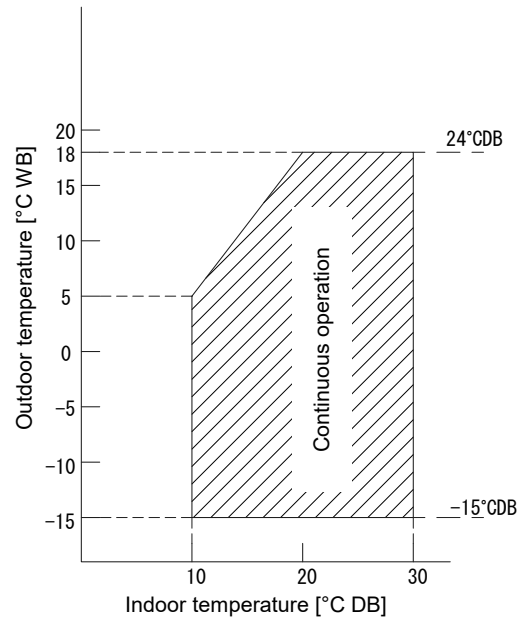
11 Operation range

11 - 1 Operation Range

2MXM-A9
3MXM-A9
4MXM-A9
5MXM-A9



Heating

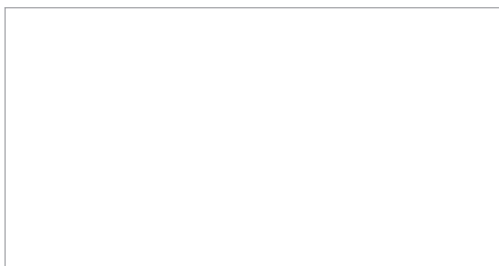


Notes

- 1. The graph is based on the following conditions.
 Corresponding refrigerant piping length: 5 m
 Level difference: 0 m
 Air flow rate High

3D101376D

Daikin Europe N.V. Naamloze Vennootschap · Zandvoordestraat 300 · 8400 Oostende · Belgium · www.daikin.eu · BE 0412 120 336 · RPR Oostende (Responsible Editor)



Daikin Europe N.V. participates in the ECP programmes for Fan Coil Units and Variable Refrigerant Flow systems. Daikin Applied Europe S.p.A. participates in the ECP programmes for Liquid Chilling Packages and Hydronic Heat Pumps. Check ongoing validity of certificate: www.eurovent-certification.com

EEDEN23

02/2023



The present leaflet is drawn up by way of information only and does not constitute an offer binding upon Daikin Europe N.V. Daikin Europe N.V. has compiled the content of this leaflet to the best of its knowledge. No express or implied warranty is given for the completeness, accuracy, reliability or fitness for particular purpose of its content and the products and services presented therein. Specifications are subject to change without prior notice. Daikin Europe N.V. explicitly rejects any liability for any direct or indirect damage, in the broadest sense, arising from or related to the use and/or interpretation of this leaflet. All content is copyrighted by Daikin Europe N.V.